

Swim

Thank you very much for your purchase of a Rapid River exercise pool. In order to enable us to complete your delivery as smoothly as possible please could you make the following arrangements.

Electrical Supply

Your exercise pool will draw a total current of 32 amps. The correctly rated supply must be supplied by the way of a dedicated and separately fused (protected) supply from your consumer unit. The supply must terminate in a correctly rated blue commando socket with an isolator; this is so our technicians can isolate the supply at this point. This can either be mounted on an adjacent wall or to a post near to where the exercise pool components are located (see pit area shown on attached sinking instructions for location of components). If you intend to bury your cables please ensure you use a 50mm black high impact duct buried at least 450mm deep.

If you intend to sink your exercise pool we recommend that you mount the blue female commando socket with isolator to the wall of the pit in the inspection area and at least 18" above the bottom of the pit base.

To comply with BS7671 legislation as of the 1st January 2005 a competent electrician registered with one of the following must carry out all electrical work: BRE Certification Ltd (ECA & IEE); British Standards Institution; ELECSA Ltd; NICEIC Certification Services Ltd or Zurich Certification Limited. Your electrician should give you a certificate once the work has been completed and this should be available for our technicians to see.

Base

The exercise pool must be sited on a base of 6" thick reinforced concrete. The base should be a minimum of 8'6" by 23' if you are sinking your pool (please refer to the separate Sinking Instructions if you are intending to sink your pool) or 8'6" x 20'6" if above ground (with an access area to the compartments as below), the control panel is on the short side at the same end as the swim jets, as are the electrical components and drain down point. Please ensure the female commando socket with isolator is located at the control panel end so that our technician can connect to the control box of the exercise pool.

If, temporarily, you want to site the exercise pool on an existing patio or concrete base please ensure it is completely flat and that it will happily hold the weight of the exercise pool once filled with water. If there is a drop of ½" or more across the area it is advisable to have a concrete skim laid to ensure the base is level. We are unable to jack the exercise pool to make it flat as this would weaken the under-structure and would invalidate your guarantee.

Electrical Compartment

In the event that a technician needs to work on your exercise pool or for you to be able to drain it, or for you to clean your filters there must be a clear working space at the compartment end of the exercise pool, this should be at least 90" x 36". Please note if you are having your exercise pool sunk into a deck then a trap door for access is required for service work to be carried out, please ensure the doors can be fully opened (see page 2).

Cladding

If you are purchasing your exercise pool without cladding so that you can clad the product to match it's environment then please ensure that where the cladding meets the lip of the shell there are no gaps or sharp edges left that could cause injury.

Access/Delivery

Please call 01934 875475 to arrange a site visit from one of our technicians so we can organise your delivery to run as smoothly as possible and cover all aspects of the installation of your pool. Please note if cranaage is required this will be at your cost, we are able to put you in contact with a suitable crane company in most cases.

We regret we are unable to accept responsibility for any damage caused to underground services during installation by hiab or crane.

To Arrange Delivery

If you have not already arranged a delivery date please call our Installation Department on 01934 875475. Please note that during peak times all installation slots maybe fully booked for up to 3 weeks. If you have arranged a delivery we will send you confirmation of this by post.

Payment of Balance

As all exercise pools are built to order all orders must be paid for as follows: 30% deposit on order, interim payment of 40% when the unit is complete and prior to it leaving the factory. The remaining 30% balance is payable on the day of delivery.

Payments should be made by bankers draft or building society cheque made payable to Bristol HotSpring Ltd OR Plymouth HotSpring Ltd. (Unfortunately, we are no longer able to accept personal or company cheques).

We only accept credit card payments by prior agreement and there will be a 2.5% commission charged for this service.

If you have any queries or require further information regarding the delivery of your pool please contact your Sales Person or the Installation Department on 01934 875745.

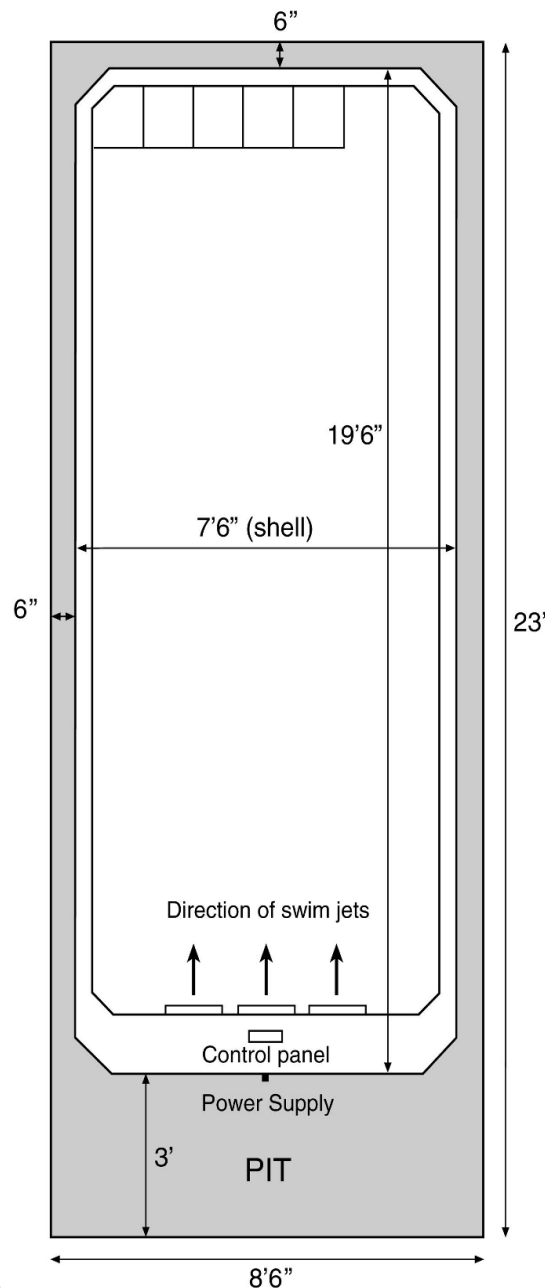
Instructions and Advice for Sinking Rapid River 19' 6" Aquamaster 6 Exercise Pool Into Gardens and Decks

If you intend to sink or semi sink your exercise pool please read the following carefully.

When digging your hole please allow a 6" (16cm) gap on three sides of your pool and a 36" extension at the inspection pit end where the components will need to be accessed. This gap is to allow for airflow and tolerance of natural bowing from water volume when filled. Dig the hole and lay a 6" (16cm) reinforced concrete base with a soak away underneath and ensure the pit has retaining walls of sufficient structural strength (back filling is not recommended).

Please make sure the soak away is sufficient to ensure your hole cannot become full of water because your warranty will not cover flooded electrical components (it is better to site the soak away at the inspection pit end of the pool near the electrical compartment), also please ensure leaves and other objects can be removed easily to ensure your soak away cannot become blocked. It may be advisable to install a submersible pump with a float switch as a secondary defence against your pit flooding.

The electrics are not designed to get wet, we recommend you seek qualified help in designing and building your pit to ensure it cannot flood with water



In Decking

If you are sinking your pool and decking around it please remember to provide a trapdoor in the decking to allow access to the electrical compartment. Please ensure the electrical compartment has some ventilation for correct functioning. If decking up to/around pool, we would recommend decking after installation.

With Cover Lifting Device

If you are going to sink your pool and are fitting a cover mate lid lifting device please only semi sink the pool to a height of 16" above ground or deck level to allow the lifting arms to operate. If using a Cover Buddy lid lifting device you can fully sink your pool as the lifting arms can be attached to the decking.

Pit Depth

The exercise pool is hand made in the UK and all depths are approximate:

Base to bottom of lip 1511mm (+/- 25mm)

Base to top of shell 1585mm (+/- 25mm)

Access to Doors

Consideration should be given to accessing the service doors, which extend across the middle 1600mm of the control panel end to a height of 1275mm. The doors must be able to open fully for both our technicians to access the controls but also so that you can access your filters for regular maintenance.

Please refer to the Electrical Supply and Base Instructions on page 1 with regards to necessary location of electrical sockets.

If you have any questions or queries regarding sinking your exercise pool please contact your sales person or the service department.

Contact us in Bristol

Showroom & Sales:

Telephone: 01934 875745

Email: info@bristolhotspring.co.uk

Bristol Service Department:

Telephone: 01934 875745

Email: service@bristolhotspring.co.uk

Contact us in Plymouth

Showroom & Sales:

Telephone: 01752 424418

Email: info@plymouthhotspring.co.uk

Plymouth Service Department:

Telephone: 01752 424419

Email: service@plymouthhotspring.co.uk